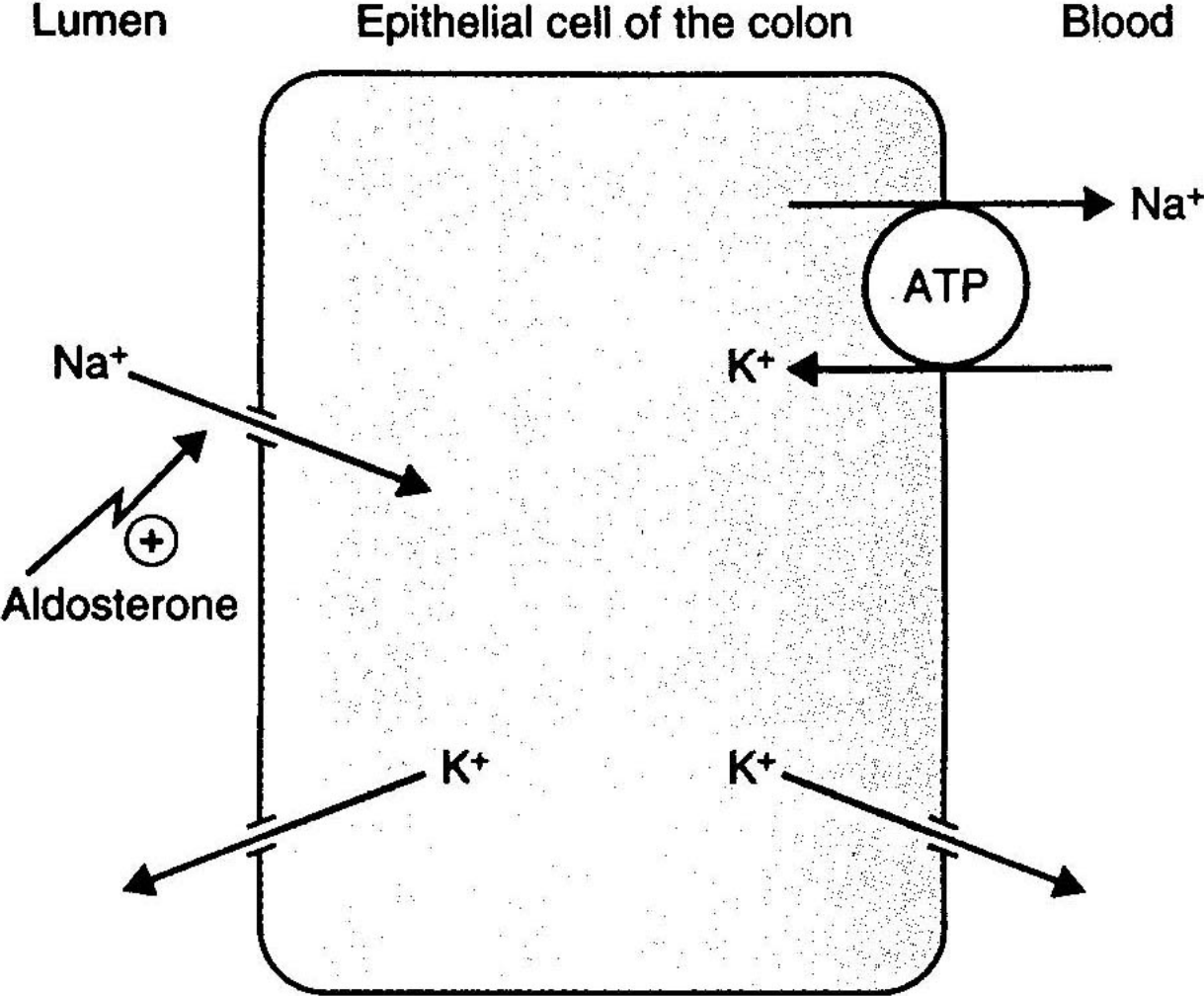


# Intestinal Secretion and Diarrhea

Dr. Alzoghaibi (L-10)

# ELECTROLYTE TRANSPORT IN THE COLON

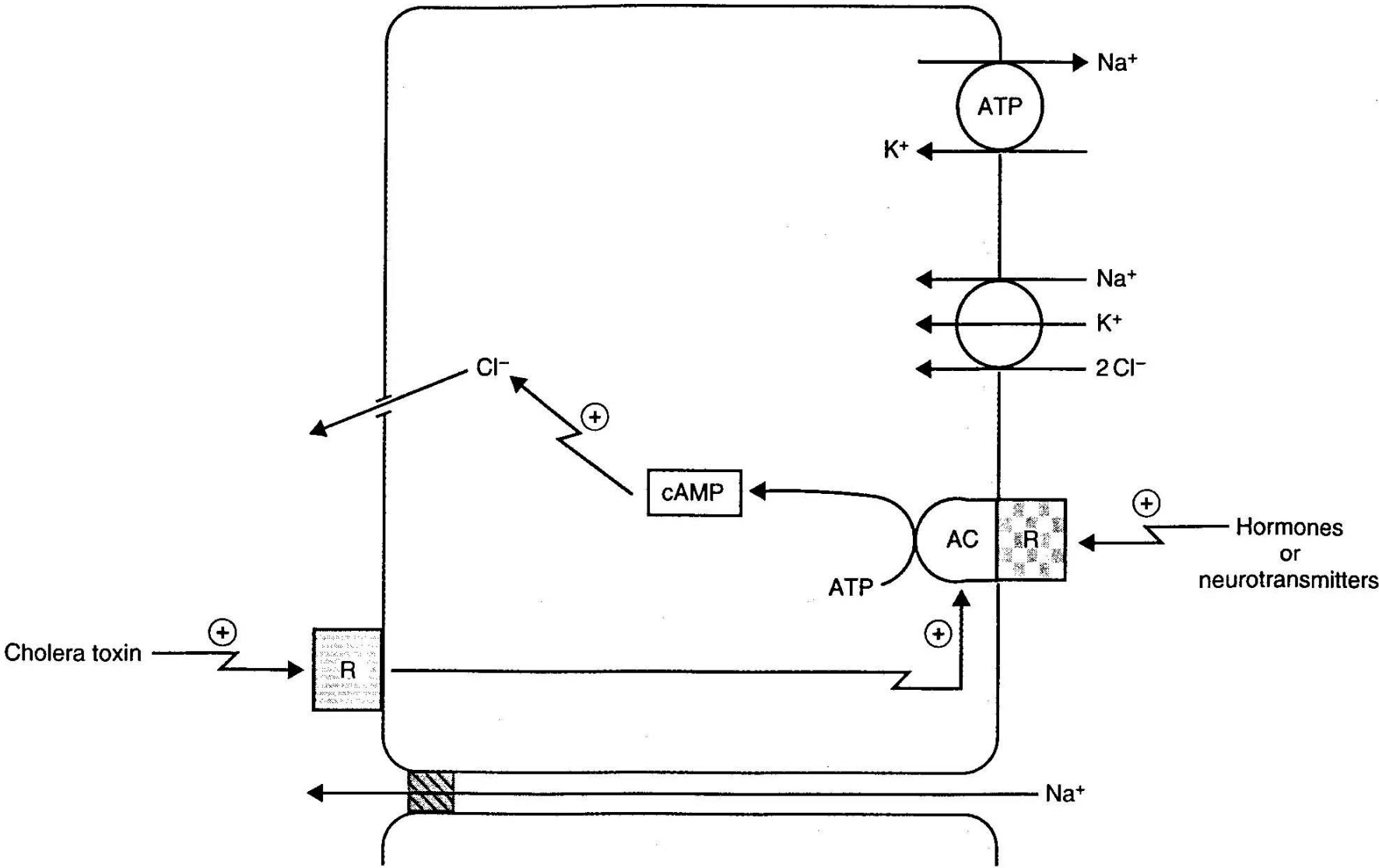


# Cl<sup>-</sup> SECRETION IN THE INTESTINE

Lumen

Epithelial cells of the crypts

Blood



# Diarrhea

- Diarrhea
  - ❖ To run through  $\Rightarrow$ 
    - ✓  $\downarrow$  ECF  $\rightarrow$   $\downarrow$  arterial pressure
    - ✓  $\downarrow$  HCO<sub>3</sub> (relative to Cl)  $\rightarrow$  Hyperchloremic metabolic acidosis
    - ✓  $\downarrow$  K  $\rightarrow$  Hypokalemia

## Causes of Diarrhea:

- ❖ Decreased surface area for absorption
- ❖ Osmotic diarrhea (lactase deficiency)
- ❖ Secretory diarrhea